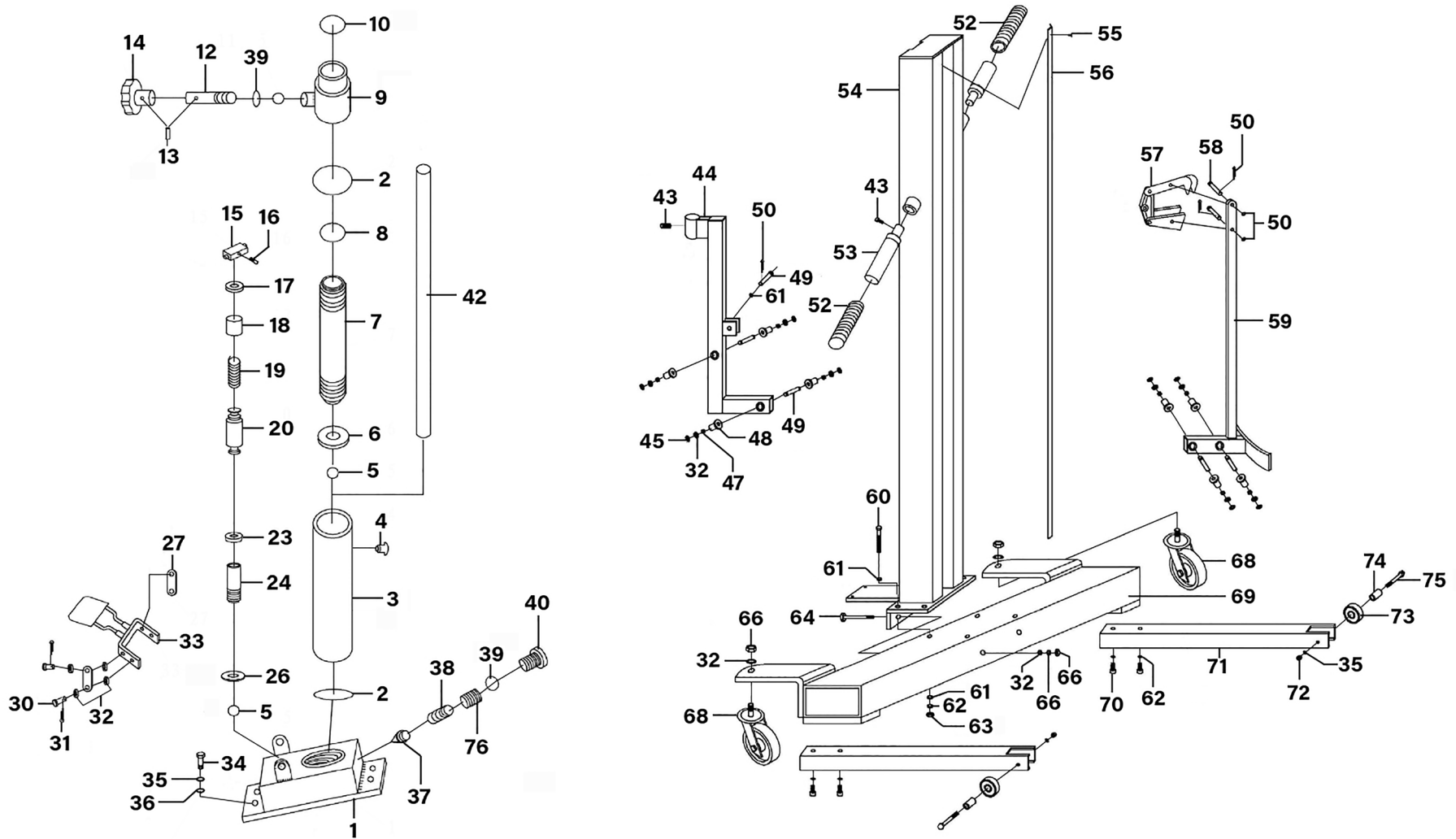




Parts Information: Hydraulic Drum Truck & Van Loader 205L Model No: DH03.V2



NOTE: It is our policy to continually improve products and as such we reserve the right to alter data, specifications and component parts without prior notice.

There may be alternative versions of this product, please contact us should you require this information.

IMPORTANT: No liability is accepted for incorrect use of product. Spare parts must be fitted by a competent person

WARRANTY: Guarantee is 12 months from purchase date, proof of which will be required for any claim.

Sealey Group, Kempson Way, Suffolk Business Park, Bury St Edmunds, Suffolk. IP32 7AR



01284 757500



sales@sealey.co.uk



www.sealey.co.uk



Parts Information: Hydraulic Drum Truck & Van Loader 205L Model No: DH03.V2

Item	Part No.	Description
1	DH03.V2-01	Base
2	DH03.V2-02	O-Ring (60.49 x 55.25 x 2.62)
3	DH03.V2-03	Reservoir
4	DH03.04	Oil Plug
5	SB-6.4	Steel Ball 6.4mm
6	DH03.V2-06	Thin Washer M22 x 33mm
7	DH03.V2-07	Cylinder
8	RE91-05.07	O-Ring (39.98 x 32.92 x 3.53)
9	DH03.V2-09	Head
10	DH03.V2-10	O-Ring (30.75 x 24.87 x 2.94)
12	DH03.V2-12	Release Valve
13	HPT1000.108	Spring Pin M4 x 20mm
14	DH03.V2-14	Grip
15	DH03.V2-15	Block
16	GSM68.S	Grub Screw M6 x 8mm
17	FWM16.SB	Flat Washer M16 Black
18	DH03.V2-18	Dust Protector
19	DH03.V2-19	Spring Ø31mm
20	DH03.V2-20	Piston
23	DH03.V2-23	Seal 8 x 16 x 6
24	DH03.V2-24	Pump Housing
26	DH03.V2-26	Washer, Thin M10 x 22mm
27	DH03.V2-27	Link
30	DH03.V2-30	Pin
31	DH03.V2-31	Cotter Pin 3.5 x 25mm
32	FWM12.S	Flat Washer M12
33	DH03.V2-33	Connect Frame (Pedal)
34	SCB820.S	Socket Cap Bolt M8 x 20mm
35	SWM8.S	Spring Washer M8
36	FWM8.S	Flat Washer M8
37	DH03.V2-37	Thread Valve
38	DH03.V2-38	Spring Ø7.4mm
39	DH03.V2-39	O-Ring (12.81 x 9.25 x 1.78)
40	DH03.V2-40	Bolt

Item	Part No.	Description
42	DH03.V2-42	Ram Piston
43	GSM810.S	Grub Screw M8 x 10mm
44	DH03.V2-44	Lifting Arm
45	RE231.V3-06	External Circlip ID: 10.9mm
47	DH03.V2-47	Bushing
48	DH03.V2-48	Roller
49	DH03.V2-51	Pin
50	DH03.V2-50	Cotter Pin 2.5 x 16mm
52	DH03.V2-52	Handle Grip
53	DH03.V2-53	Handle
54	DH03.V2-54	Post
55	MSC510.S	Csk Phillips Machine Screw M5 x 10mm
56	DH03.V2-56	Guide Plate
57	DH03.V2-57	Fulcrum Assembly
58	DH03.V2-58	Pin
59	DH03.V2-59	Support Frame
60	HHB1080.S	Hex Head Bolt M10 x 80mm
61	FWM10.S	Flat Washer M10
62	SWM10.S	Spring Washer M10
63	SN10.S	Steel Nut M10
64	HHB12130.S	Hex Head Bolt M12 x 130mm
66	SN12.S	Steel Nut M12
68	DH03.V2-68	Swivel Castor
69	DH03.V2-69	Base Frame
70	SCB1020.SB	Socket Cap Bolt M10 x 20mm Black
71	DH03.V2-71	Leg
72	NLN8.S	Nyloc Nut M8
73	DH03.V2-73	Wheel, Fixed (65 x 20 x 33)
74	DH03.V2-74	Bushing
75	HHB860.S	Hex Head Bolt M8 x 60mm
76	DH03.V2-76	Adjustment Screw
--	DH03.V2-KIT	Grip With Rod & Pin (Not Shown)
--	DH03.V2-H	Hydraulic Unit (Not Shown)

NOTE: It is our policy to continually improve products and as such we reserve the right to alter data, specifications and component parts without prior notice. There may be alternative versions of this product, please contact us should you require this information.

IMPORTANT: No liability is accepted for incorrect use of product. Spare parts must be fitted by a competent person

WARRANTY: Guarantee is 12 months from purchase date, proof of which will be required for any claim.

Sealey Group, Kempson Way, Suffolk Business Park, Bury St Edmunds, Suffolk. IP32 7AR



01284 757500



sales@sealey.co.uk



www.sealey.co.uk